



VAREC 4310 SERIES SAMPLING AND GAUGING HATCH COVERS

Free-opening or lock-down covers designed to provide quick access for product gauging, temperature measurement or sampling



FEATURES

- Non-sparking design.
- Corrosion resistant die cast 360 aluminium construction.
- Positive sealing soft seat inserts in NBR as standard; PTFE and FKM optional.
- Locking mechanism (pin provided) raised above cover surface for easy access.
- Padlockable to prevent unauthorized tank access.
- Large, easy to grab pull ring.
- Safety foot pedal allows fast, hands-free tank access for sampling and gauging.
- Self-aligning cover closes automatically when the foot pedal is released.
- Carbon steel base construction available for welding to the tank roof.
- Stainless steel (in both sizes) and aluminum (in the NPS 8 (DN 200) size) bases available for flanged mounting with bolts.
- Flat faced flanges drilled per ANSI Class 150 dimensions.

GENERAL APPLICATION

The 4310 Series is installed on tank roofs or roof flanges to provide quick access for product gauging, temperature measurement or sampling.

TECHNICAL DATA

Materials:	Aluminum, carbon steel, stainless steel
Sizes:	NPS 4 and 8 (DN 100 and 200)
Connections:	Flange drilled to ANSI 150
Relieving pressure (approx.):	NPS 1.73 wc (DN 44 wc)
Pressure (max): (lock-down position)	3 psig (20.7 kPa)

VAREC 4310 SERIES SAMPLING AND GAUGING HATCH COVERS

SPECIFICATIONS

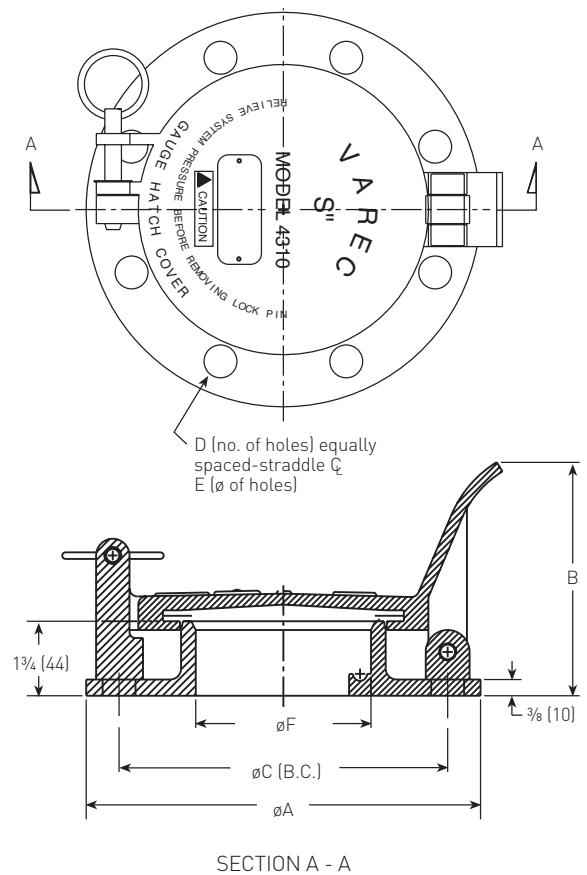
DIMENSIONS AND WEIGHTS, in. (mm) and lbs. (kg)

Size code		4"	8"
A	Flange diameter ^[1]	9 [229]	13½ [343]
B	Height	5 ²¹ / ₆₄ [135]	5½ [140]
C	Diameter bolt circle	7½ [190]	11¾ [298]
D	Number of holes ^[2]	8	8
E	Hole size	¾ [19]	7/8 [22]
F	Opening size	4 [102]	8 [203]
Approximate shipping weight ^[3]		22 [10]	33 [15]

Dimensions are for preliminary general information and should not be used for construction purposes. Certified dimensional drawings are available upon request.

MATERIALS OF CONSTRUCTION

Base	Cover	Seat insert
Aluminum ^[4]	Aluminum	NBR/FKM/PTFE
Carbon steel ^[2]	Aluminum	NBR/FKM/PTFE
Stainless steel	Stainless steel	NBR/FKM/PTFE



VAREC 4310 SERIES SAMPLING AND GAUGING HATCH COVERS

SELECTION GUIDE

SELECTION GUIDE

Example:		4310	8	1	A
Model					
4310	Sampling and gauging hatch - free lifting or lock down				
Size NPS					
4	4				
8	8				
Materials					
	Base	Cover	Insert		
1	Aluminum ^[4]	Aluminum	NBR		
2	Aluminum ^[4]	Aluminum	FKM		
3	Aluminum ^[4]	Aluminum	PTFE		
4	Carbon steel ^[2]	Aluminum	NBR		
5	Carbon steel ^[2]	Aluminum	FKM		
6	Carbon steel ^[2]	Aluminum	PTFE		
7	Stainless steel	Stainless steel	FKM		
8	Stainless steel	Stainless steel	PTFE		
Connection					
A	Flat face flange drilled to ANSI 150				

Example: Model Number 43108A is a 4310 Series sampling and gauging hatch with 8" aluminum base and cover, NBR insert, flat face flange drilled to ANSI 150.

NOTES

1. Flange drilling per ANSI Class 150# flat face flange.
2. Carbon steel base is for welded connection only - does not come drilled.
3. Shipping weights shown are for aluminum construction only.
4. 4" base is not available in aluminium.

