

Replacement of BTG desuperheater type DA4.

Askalon has developed a steam desuperheater that can replace the BTG type DA4.

The Askalon desuperheater fits easily into the existing pipe. Main difference to DA4 is that the nozzles are spraying in the direction of the flow in the center of the pipe, thus giving excellent coverage of the steam pipe cross section.

This will optimize the heat transfer and minimize the risk of water impingement on the pipe wall.

The water control valve is not integrated in the desuperheater like in DA4. This will make maintenance easier knowing that wear is most likely to happen in the water valve. This also gives more freedom to select valve capacity.

Askalon uses spring loaded injection nozzles from Emerson. These are available in sizes from Cv=0.25 to 5

The back of the brochure contains the information specified to make the correct change.



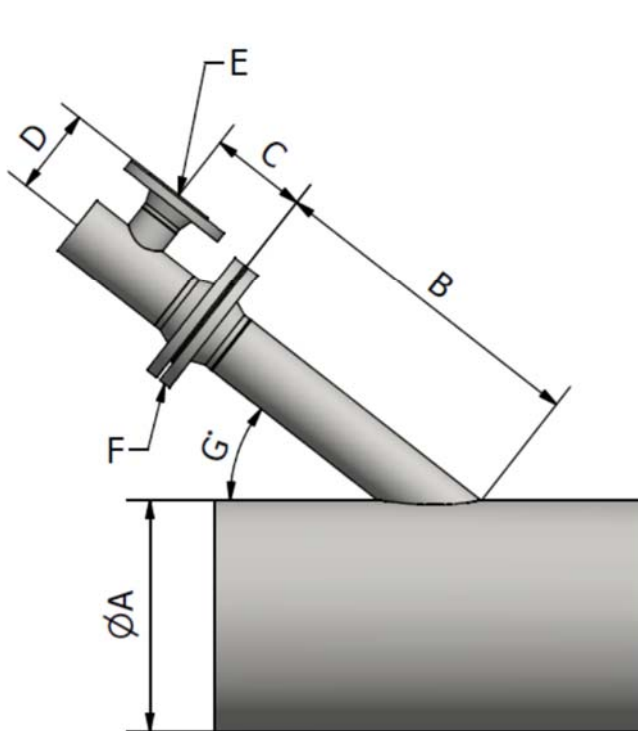


Figure 1: dimensions existing installation

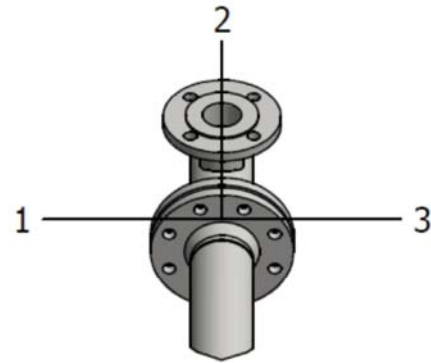


Figure 2: direction water connection

Fill in information for sizing			
Ps steam		A	
Ts steam		B	
Ps water		C	
Ts water		D	
P oper. steam		E PN&DN	
T oper. steam		F PN&DN	
P oper. water		G°	
T oper. water		BTG capacity: A-F	
Direction waterflange - choose alt. 1-3 in figure 2			

Contact us when there is a need for Engineered solutions

Gert Andrée
+46 54-57 92 19

Gert.Andree@askalon.se

Per Nordquist
+46 54-57 92 38

Per.Nordquist@askalon.se

Sören Kindlund
+46 54-57 92 18

Soren.Kindlund@askalon.se