



## KEYSTONE ADJUSTABLE WAFER STYLE TRAVEL STOPS

Adjustable travel stop and safety lockout device for Keystone F79U/E 003 - 036 pneumatic actuators.



### FEATURES

- Allows simple and easy adjustment of the open and close position of the valve and actuator arrangement.
- Compact low profile wafer style.
- Padlocking facility provided as standard.
- No degrading of valve to actuator connection strength.
- Can be retro-fitted to existing Keystone valve and F79U/E 003 -012 actuator arrangements.
- Capable of providing valve locking when the actuator is removed (when fitted with two retaining screws.)

### GENERAL APPLICATION

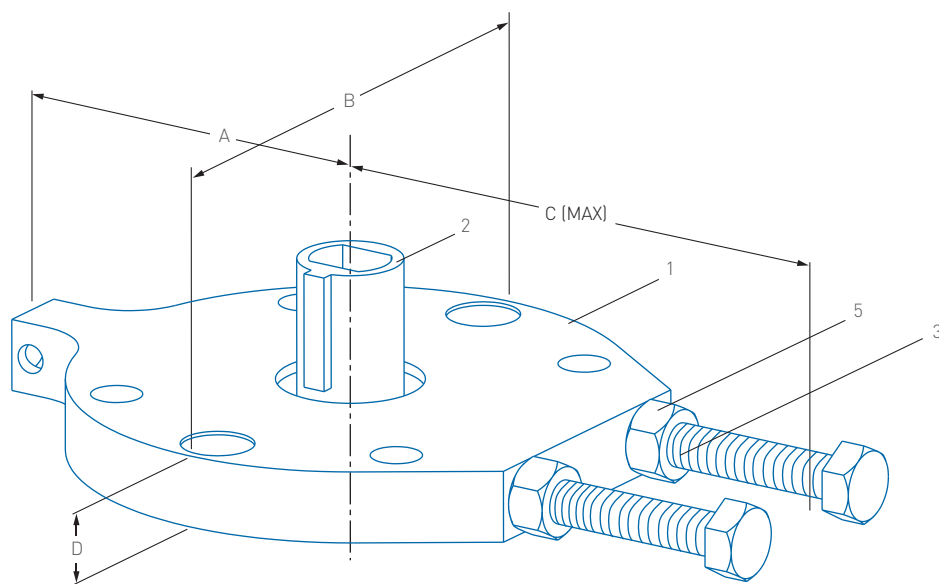
For limiting travel of F79U/E actuated valves in either or both directions.  
The lockout facility meets most site lockout requirements.

### TECHNICAL DATA

Travel stop range: - 5° to 95° of full travel  
Lockable range: - 5° at either end of stroke.



## KEYSTONE ADJUSTABLE WAFER STYLE TRAVEL STOPS



### PARTS LIST

No.	Description	Material
1	Mounting plate	Aluminium alloy, powder coated
2	Travel stop cam (DN 50 - DN 150)	316 S/S
	(DN 200 - DN 300)	431 S/S
3	Travel stop screws	304 S/S
4	Lockout screw (not shown)	304 S/S
5	Lock nuts	304 S/S
6	Mounting fasteners (not shown)	304 S/S

### DIMENSIONS (mm)

Size	A	B	C	D	kg
50 - 150	75	102	105	20	0.8
200 - 300	102	152	152	25	1.8

### NOTE:

When used in conjunction with some solenoid and actuator arrangements, the actuator may need to be re-orientated 90° to prevent obstructing the lock-up facility.