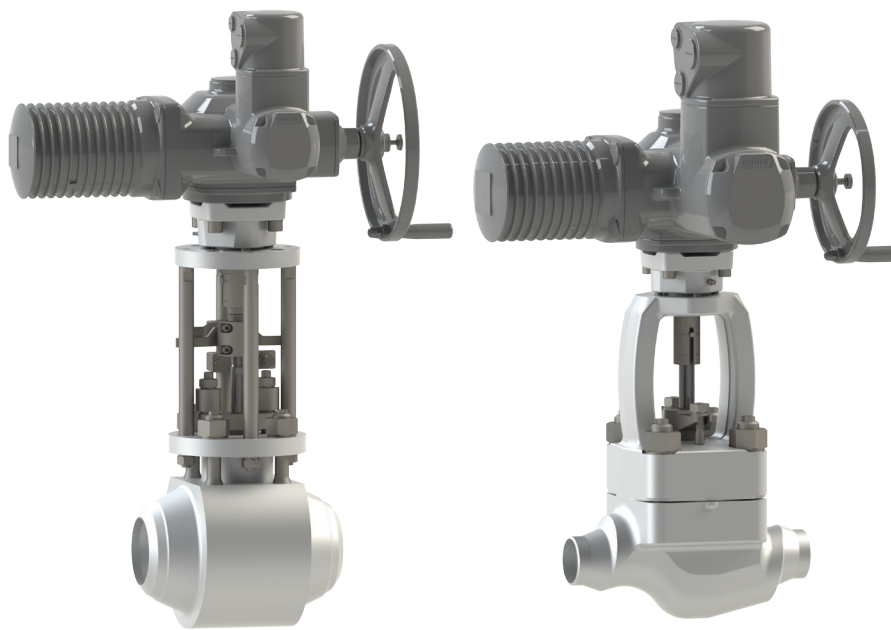




SEPELL PRESSURE REDUCING VALVE CONDENSATE OR FEEDWATER MODEL 141

Sempell control valves for water applications in power industry



FEATURES

- Valve can be easily disassembled
- Exchangeable seat
- Low maintenance gland, packing pure graphite
- PTFE-collar up to 250°C / 480°F
- Low friction by burnished valve stem.
- Spacious body also for difficult operating conditions
- Universal connections by various design of welding ends and flanges as standard
- Various designs in regard of dimension and material as well as designs with accessories according to customers' request

GENERAL APPLICATION

Model 141 can be generally used in globe valve to control pressure, temperature, level and flow.

It is designed for a medium pressure range up to Class 400 and is suitable to control nonaggressive liquids. The cast or forged steel body comes with welding ends or flanged.

The bonnet seal is spaciouly designed and thus can also be used for evaporating medium without difficulties.

TECHNICAL DATA

Size:	DN 25 to DN 1000 NPS 2½ - 40
Pressure:	375 bar Class 1200
Temperature:	-29°C to 600°C -20°F to 1100°F
Material:	1.0619 / 1.7357 / 1.7379 SA 216 -WCB /-WC6 /-WC9 / SA 105 Other materials on request
Connection:	Butt weld ends acc. to ASME B16.25 or ISO 9692-1

Neither Emerson, Emerson Automation Solutions, nor any of their affiliated entities assumes responsibility for the selection, use or maintenance of any product. Responsibility for proper selection, use, and maintenance of any product remains solely with the purchaser and end user.

Sempell is a mark owned by one of the companies in the Emerson Automation Solutions business unit of Emerson Electric Co. Emerson Automation Solutions, Emerson and the Emerson logo are trademarks and service marks of Emerson Electric Co. All other marks are the property of their respective owners.

The contents of this publication are presented for informational purposes only, and while every effort has been made to ensure their accuracy, they are not to be construed as warranties or guarantees, express or implied, regarding the products or services described herein or their use or applicability. All sales are governed by our terms and conditions, which are available upon request. We reserve the right to modify or improve the designs or specifications of such products at any time without notice.

Emerson.com/FinalControl