



## K-BALL SERIES 120 FLOATING BALL VALVE

A general purpose two piece, full bore floating ball valve in stainless steel



### FEATURES

- Investment cast, two piece body
- Stainless steel construction
- Threaded ends to:
  - BSPP
  - BSPT
  - NPT
- Blow-out proof shaft
- Locking device
- DIN 3202 M3 face-to-face
- Adjustable shaft packing
- Full bore

### GENERAL APPLICATIONS

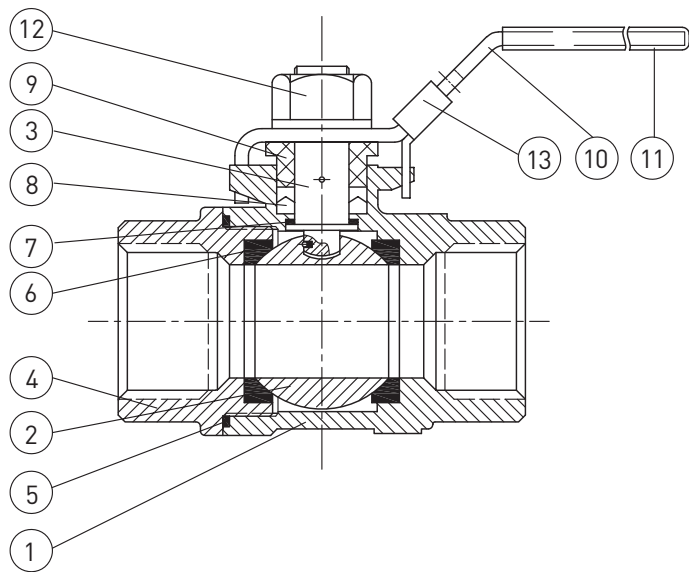
Ideal for general industrial and service applications including water, oil, gas and chemical processes.

### TECHNICAL DATA

Size range:	DN 8 - 50 NPS ¼ - 2
End connections:	Threaded ends
Pressure rating:	69 bar (PN 69) 1000 psi
Temperature rating:	See chart on page 4

# K-BALL SERIES 120

## FLOATING BALL VALVE

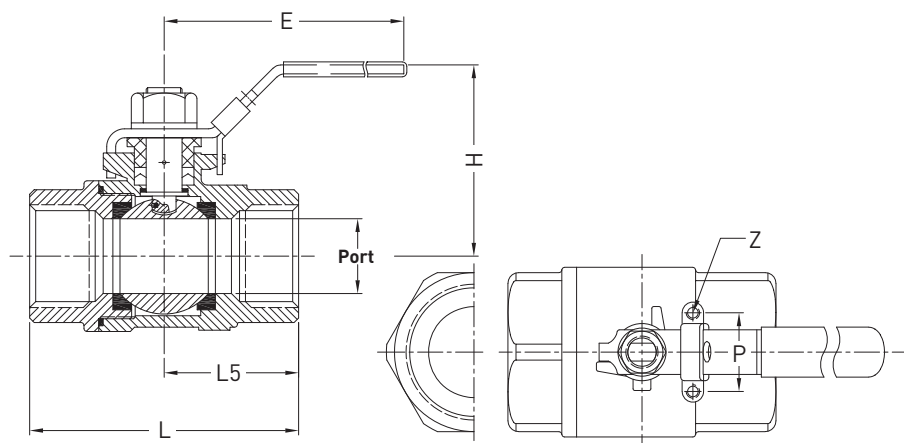


### PARTS LIST

No.	Description	Material	Quantity
1	Body	CF8M	1
2	Ball	CF8M	1
3	Stem	SS316	1
4	End cap	CF8M	1
5	Body seal	PTFE	1
6	Seat	PTFE	2
7	Thrust washer	PTFE	1
8	Stem packing	PTFE	1 set
9	Gland nut	SS304	1
10	Handle	SS304	1
11	Handle cover	Plastic	1
12	Handle nut	SS304	1
13	Locking device	SS304	1

# K-BALL SERIES 120

## FLOATING BALL VALVE



### DIMENSIONS (mm)

Valve size DN	Port	L	L5	E	H	P	Z-2	Weight (kg)
8	11.5	60.0	28.2	103.9	50.0	28.5	3/16"-24	0.25
10	12.5	60.0	28.2	103.9	50.0	28.5	3/16"-24	0.25
15	15.0	75.0	35.7	123.0	58.8	28.5	3/16"-24	0.38
20	20.0	80.0	40.2	123.0	62.5	35.0	3/16"-24	0.52
25	25.0	90.0	45.0	145.0	69.3	35.0	3/16"-24	0.86
32	32.0	110.0	53.4	145.0	76.0	38.0	1/4"-20	1.67
40	38.0	120.0	60.0	189.0	86.9	38.0	1/4"-20	1.95
50	50.0	140.0	69.5	189.0	95.0	38.0	1/4"-20	2.87

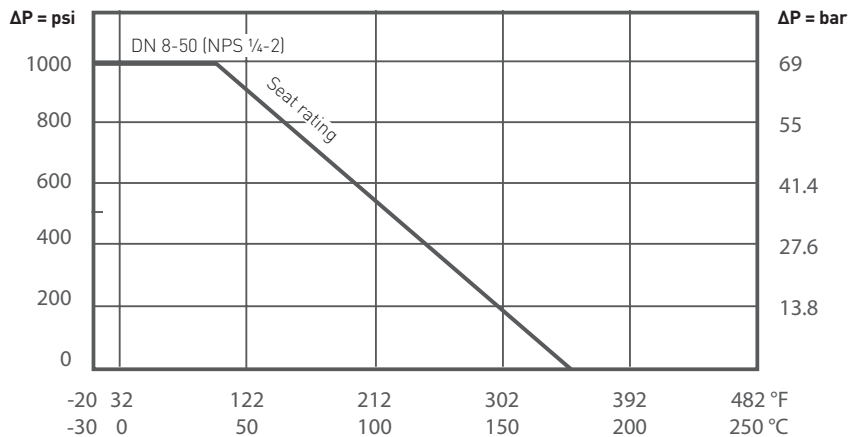
### DIMENSIONS (inch)

Valve size NPS	Port	L	L5	E	H	P	Z-2	Weight (lb)
1/4"	0.45	2.36	1.11	4.09	1.97	1.12	3/16"-24	0.55
3/8"	0.49	2.36	1.11	4.09	1.97	1.12	3/16"-24	0.55
1/2"	0.59	2.95	1.41	4.84	2.31	1.12	3/16"-24	0.84
3/4"	0.79	3.15	1.58	4.84	2.46	1.38	3/16"-24	1.15
1"	0.98	3.54	1.77	5.71	2.73	1.38	3/16"-24	1.90
1 1/4"	1.26	4.33	2.10	5.71	2.99	1.50	1/4"-20	3.68
1 1/2"	1.50	4.72	2.36	7.44	3.42	1.50	1/4"-20	4.30
2"	1.97	5.51	2.74	7.44	3.74	1.50	1/4"-20	6.33

# K-BALL SERIES 120

## FLOATING BALL VALVE

### PRESSURE / TEMPERATURE RATING



© 2010, 2020 Emerson Electric Co. All rights reserved 12/20. K-Ball is a mark owned by one of the companies in the Emerson Automation Solutions business unit of Emerson Electric Co. The Emerson logo is a trademark and service mark of Emerson Electric Co. All other marks are the property of their prospective owners.

The contents of this publication are presented for informational purposes only, and while every effort has been made to ensure their accuracy, they are not to be construed as warranties or guarantees, express or implied, regarding the products or services described herein or their use or applicability. All sales are governed by our terms and conditions, which are available upon request. We reserve the right to modify or improve the designs or specifications of such products at any time without notice.

Emerson Electric Co. does not assume responsibility for the selection, use or maintenance of any product. Responsibility for proper selection, use and maintenance of any Emerson Electric Co. product remains solely with the purchaser.

[Emerson.com/FinalControl](http://Emerson.com/FinalControl)