

D104117X016

Introduction

Enardo™ 2000 Series emergency relief vents are designed to provide an opening for storage tanks when exposed to overpressure that are not handled by standard tank vents. These vents provide the capacity to meet API standard 2000 for emergency venting due to fire exposure when properly sized. These vents also provide quick easy access for tank inspection and maintenance.

Emergency pressure relief vents provide pressure relief only. Vacuum relief must be supplied by normal venting devices or an Enardo 2500 Series emergency relief vent with vacuum.

When excessive pressure builds within the storage tank the Enardo 2000 Series emergency pressure relief vent hinged cover begins to open at the predetermined set pressure, relieving excess pressure. When overpressure has dissipated, the cover reseats onto the base. The hinge mechanism prevents misalignment and provides an accurate reseal.

Optional Remote Monitoring provides immediate indication of open emergency vent.

Available Sizes

ANSI: 4, 8, 12, 16, 18, 20 and 24 in. / 100, 200, 300, 400, 460, 500 and 600 mm

API: 8, 20 and 24 in. / 200, 500 and 600 mm

Vent Setting Range

Pressure

2.0 to 32.0 oz./sq. in. (0.5 increments)

3.5 to 55.0 in. w.c. (1.0 increments)

8.6 to 138 mbar (2.2 mbar increments)

Vacuum

N/A

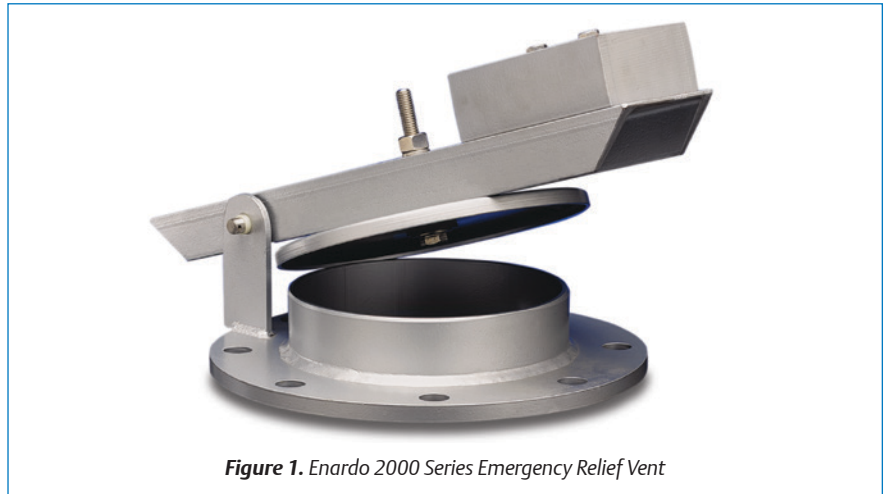


Figure 1. Enardo 2000 Series Emergency Relief Vent

Construction Materials

Base

Carbon Steel
304 Stainless steel
316 Stainless steel

Arm

Carbon Steel
304 Stainless steel
316 Stainless steel

Disk

Aluminum
304 Stainless steel
316 Stainless steel

Seal

Buna-N, FEP Teflon® or Viton®

Seal Support

Aluminum
304 Stainless steel
316 Stainless steel

Additional Technical Data

For more technical information, contact your local Sales Office or log on to:

www.enardo.com

Features

- Advanced seal technology exceeds the most stringent of industrial standards for allowable leakage (1 SCFH at 90% set point) and provides excellent set point accuracy (+/- 3%).
- All components are field replaceable, including pallet seal without the need for special tools or complex procedures.
- Every Enardo 2000 Series vent is factory inspected and leak checked and certified.
- Corrosion-resistant coatings are available for even the most corrosive of applications.
- Certified flow capacity curves are available for the full product size range.
- Available in API, ANSI, DIN and JIS flanges.
- EN 13463-1 and EN 13463-5 Certified.
- Optional Remote Monitoring.

Teflon® and Viton® are marks owned by E. I. du Pont de Nemours and Company.

Enardo 2000 Series

Emergency Relief Vent

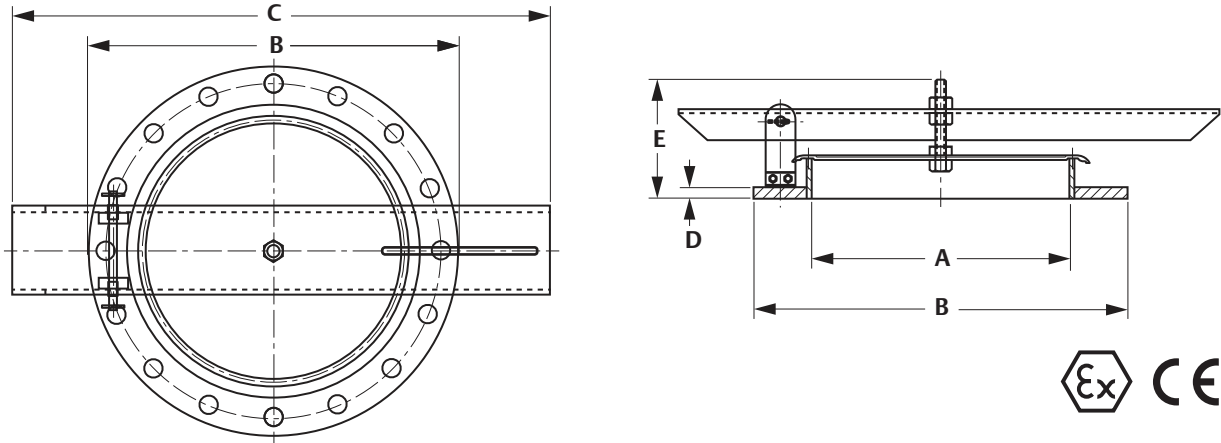


Figure 2. Enardo™ 2000 Series Dimensions

Table 1. Enardo 2000 Series Dimensions

MODEL	A (SIZE)		B1 (ANSI FLANGE O.D.)		B2 (API FLANGE O.D.)		C (OVERALL LENGTH)		D (FLANGE THICKNESS)		E (HEIGHT)		WEIGHT (CARBON STEEL) ⁽¹⁾		WEIGHT (STAINLESS STEEL) ⁽¹⁾	
	In.	mm	In.	mm	In.	mm	In.	mm	In.	mm	In.	mm	Lbs	kg	Lbs	kg
Enardo 2004	4	100	9	229	----	----	14	356	1/2	13	4-3/4	121	14	6	14	6
Enardo 2008	8	200	13-1/2	343	13-1/2	343	21	533	1/2	13	6-1/2	165	28	13	29	13
Enardo 2012	12-1/4	310	19	483	----	----	22	559	1/2	13	6-1/2	165	42	19	43	20
Enardo 2016	15-1/4	390	23-1/2	597	----	----	29	737	1/2	13	6-1/2	165	94	43	97	44
Enardo 2018	17-1/2	445	25	635	----	----	36	914	3/4	19	6-3/4	171	110	50	118	54
Enardo 2020	19-1/4	490	27-1/2	699	26	660	38-1/4	972	3/4	19	6-3/4	171	119	54	127	58
Enardo 2024	23-1/4	590	32	813	30	762	41	1041	3/4	19	6-3/4	171	176	80	186	84

1. Unit weights indicate Net Weight of valve at standard set pressure (2.0 oz./sq.in. pressure), does not include shipping crate or box. Add 20% for gross shipping weight (Domestic Only). Pressure settings above the standard will increase total unit weight - consult factory for more information.

Selection Guide to Enardo 2000 Series

ENARDO 2 0 1 2 - 2 1 N - 1 - Z 2 - 4

Series
2 = Carbon Steel
3 = 304 Stainless steel
4 = 316 Stainless steel
5 = Exotic

Connection Size
1 = Aluminum
3 = 304 Stainless steel
4 = 316 Stainless steel
5 = Exotic

Base and Arm
1 = Aluminum
3 = 304 Stainless steel
4 = 316 Stainless steel
5 = Exotic

Disk Cover
T = Teflon®
N = Buna-N
V = Viton®
X = Special

Gasket
1 = ANSI
2 = API

Bolt Pattern
n = in. w.c.
z = oz./sq. in.
2.0. to 32.0 oz./sq. in. (0.5 oz./sq. in. increments)
3.5 to 55.0 in. w.c. (1.0 in. w.c. increments)
8.6 to 138 mbar (2.2 mbar increments)

Pressure Settings
1 = Special Coating
2 = Optional Hardware
3 = Other
4 = Smart Wireless Monitoring

Example:

ENARDO 2 0 1 2 - 2 1 N - 1 - Z 2 - 4

Indicates a 12 in. Emergency Pressure Relief Vent with a Carbon steel base, an aluminum lid with a Buna-N gasket, a ANSI 150 lb. bolting pattern, with relief pressure of 24 oz./sq.in. and Smart Wireless Monitoring.

Teflon® and Viton® are marks owned by E. I. du Pont de Nemours and Company.