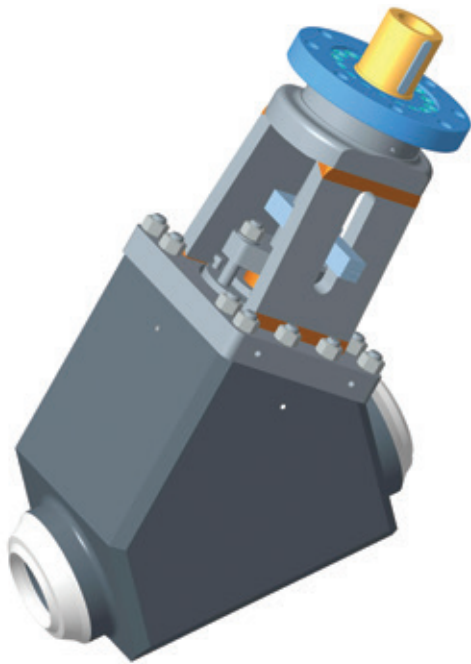


SEMPELL RAISTEAM PRESSURE SEAL FORGED STEEL GLOBE VALVES

T TYPE FIG. 6022 - 6025 AND Y TYPE FIG. 6032 - 6035

Forged high pressure Y pattern, T pattern and angle pattern globe valves



FEATURES

- Forged body materials of highest quality, all in compliance with ASME and DIN standards.
- Globe valves designed as per ASME B16.34, API 600, ISO, DIN, TRD, VGB, TRB, PED.
- CE mark 100% Compliance with European Pressure Equipment Directive n°2014/68/EU.
- "T", "Y" and angle patterns available.
- Packing with pure graphite pressed rings, with a minimum density of 1.8 g/cm³ each, to improve its sealing effectiveness and, at the same time, to decrease the risk for fugitive emissions.
- Mechanical position indicator supplied as standard.
- Yoke equipped with connecting flange on top to facilitate gear operator assembly.
- Special constructions and materials available.
- Valves are offered as standard with manual operators (Hand wheel or bevel gear depending on size). Actuated options such as electric, pneumatic or hydraulic are available.

GENERAL APPLICATION

The Sempell Raisteam high pressure forged globe valves are successfully installed in many services, especially in those with high temperature and high pressure applications: power plants, chemical and petrochemical plants, and offshore plants.

TECHNICAL DATA

Sizes: T-type: DN 50 - DN 350
(NPS 2 - NPS 14)
Y-type: DN 50 - DN 500
(NPS 2 - NPS 20)

Pressure ratings: ASME Class 900 to 4500
DIN: PN 160 to PN 720

Body materials: Forged carbon steels, alloys steels and stainless steels.
All in compliance with ASME and DIN standards

Temperature (°C): -46 to + 650

Connections standards
Flanges: ASME B16.5.
Buttweld: ASME B16.25, DIN 2448
Other connections on request.

SEPELL RAISTEAM PRESSURE SEAL FORGED STEEL GLOBE VALVES

T TYPE FIG. 6022 - 6025 AND Y TYPE FIG. 6032 - 6035

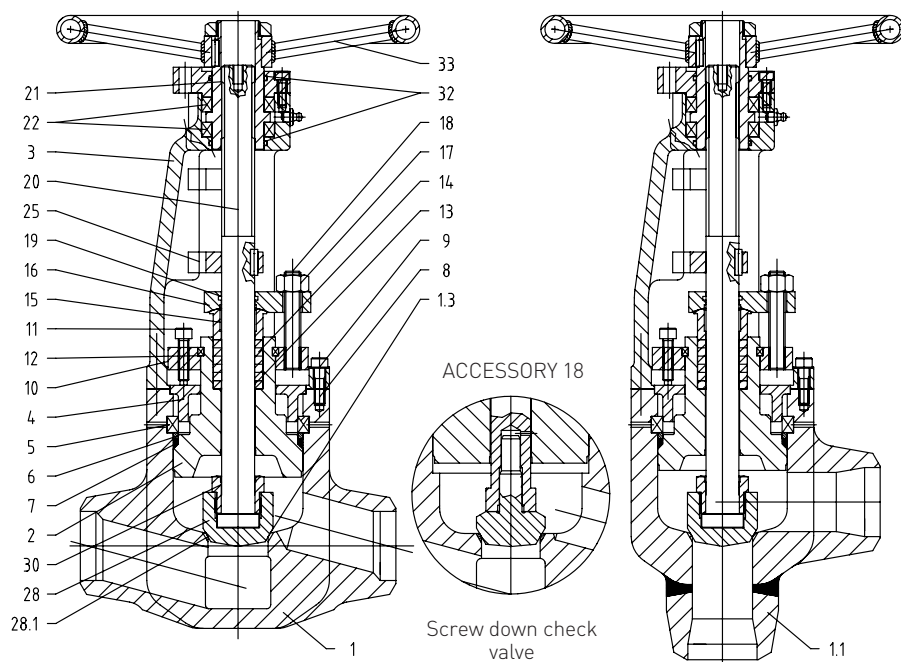


FIGURE 6022 TO 6025

Fig.	Range class	PN
6022	601 - 900	(09) 110 - 160
6023	901 - 1500	(15) 161 - 250
6024	1501 - 2500	(25) 251 - 500
6025	2501 - 4500	(45) 501 - 720

TRIM MATERIAL TO API 600

Item	Body seat surface	Plug seating surface	Stem
	1.3	28.1	20
1	13% Cr	13% Cr	13% Cr
5	Stellite	Stellite	13% Cr 17% Cr *
8	Stellite	13% Cr	13% Cr
12	F316/Stellite	F316/Stellite	F316 or 17.4 PH below 450°C

* over 450°C

MATERIAL SPECIFICATIONS

No. Item	21	22	23	24	25	26	27	28	29
	-20°C - 425°C	-46°C - 425°C	200°C - 540°C	250°C - 550°C	400°C - 575°C	500°C - 650°C	-20°C - 450°C	130°C - 650°C	500°C - 650°C
	A105 1.0460	LF2 TT5 1.0411	F1 15Mo3 1.5415	F12 13CrMo44 1.7335	F22 10CrMo910 1.7380	F91 P91 1.4903	15NiCuMoNb5 1.6368	F316 X6CrNiNb1810 1.4550	F92 P92 1.4901
1 Body	A105 1.0460	LF2 TT5	F1 15Mo3	F12 13CrMo44	F22 10CrMo910	F91	15NiCuMoNb5	F316 X6CrNiNb1810	F92
1.1 Body	A105 1.0460	LF2 TT5	F1 15Mo3	F12 13CrMo44	F22 10CrMo910	F91	15NiCuMoNb5	F316 X6CrNiNb1810	F92
2 Bonnet	A105 1.0460	LF2 TT5	F1 15Mo3	F12 13CrMo44	F22 10CrMo910	F91	15NiCuMoNb5	F316 X6CrNiNb1810	F92
3 Yoke	A105	A105	A105	A105	A105	A105	A105	A105	A105
4 Safety ring	A105	A105	A105	A105	A105	A105	A105	A105	A105
5 Segment ring	A105 1.0460	LF2 TT5	F1 15Mo3	F12 13CrMo44	F22 10CrMo910	F91	15NiCuMoNb5	F316 X6CrNiNb1810	F92
6 Ring	A105 1.0460	LF2 TT5	F1 15Mo3	F12 13CrMo44	F22 10CrMo910	F91	15NiCuMoNb5	F316 X6CrNiNb1810	F92
7 Gasket	Pure graphite	Pure graphite	Pure graphite	Pure graphite	Pure graphite	Pure graphite	Pure graphite	Pure graphite	Pure graphite
8 Bolts	A193 B7	A193 B7	A193 B7	A193 B7	A193 B7	A193 B7	A193 B7	A193 B7	A193 B7
9 Nuts	A194 2H	A194 2H	A194 2H	A194 2H	A194 2H	A194 2H	A194 2H	A194 2H	A194 2H
10 Plate	A194 2H	A194 2H	A194 2H	A194 2H	A194 2H	A194 2H	A194 2H	A194 2H	A194 2H
11 Screw	A193 B7	A193 B7	A193 B7	A193 B7	A193 B7	A193 B7	A193 B7	A193 B7	A193 B7
13 Ground ring	17Cr 1.4122	17Cr 1.4122	17Cr 1.4122	17Cr 1.4122	17Cr 1.4122	17Cr 1.4122	17Cr 1.4122	17Cr 1.4122	17Cr 1.4122
14 Packing	Pure graphite	Pure graphite	Pure graphite	Pure graphite	Pure graphite	Pure graphite	Pure graphite	Pure graphite	Pure graphite
15 Gland	F6	F6	F6	F6	F6	F6	F6	F6	F6
16 Gland flange	A105	A105	A105	A105	A105	A105	A105	A105	A105
17 Gland nuts	A194 2H	A194 2H	A194 2H	A194 2H	A194 2H	A194 2H	A194 2H	A194.8	A194 2H
18 Bolts	A193 B7	A193 B7	A193 B7	A193 B8	A193 B8	A193 B8	A193 B8	A193 B8	A193 B8
19 Cut ring	Pure graphite	Pure graphite	Pure graphite	Pure graphite	Pure graphite	Pure graphite	Pure graphite	Pure graphite	Pure graphite
21 Yoke nut	Bronze B 148 gr.B or Ni-resist D2	Bronze B 148 gr.B or Ni-resist D2	Bronze B 148 gr.B or Ni-resist D2	Bronze B 148 gr.B or Ni-resist D2	Bronze B 148 gr.B or Ni-resist D2	Bronze B 148 gr.B or Ni-resist D2	Bronze B 148 gr.B or Ni-resist D2	Bronze B 148 gr.B or Ni-resist D2	Bronze B 148 gr.B or Ni-resist D2
22 Bearings	Steel	Steel	Steel	Steel	Steel	Steel	Steel	Steel	Steel
25 Indicator	A105	A105	A105	A105	A105	A105	A105	F316	A105
28 Plug	F6	F6	F6	F6	F6	F6	F6	F6	F6
30 Plug nut	F6	F6	F6	F6	F6	F6	F6	F6	F6
32 O-ring	Viton	Viton	Viton	Viton	Viton	Viton	Viton	Viton	Viton
33 Handwheel	Steel	Steel	Steel	Steel	Steel	Steel	Steel	Steel	Steel

SEPELL RAISTEAM PRESSURE SEAL FORGED STEEL GLOBE VALVES

T TYPE FIG. 6022 - 6025 AND Y TYPE FIG. 6032 - 6035

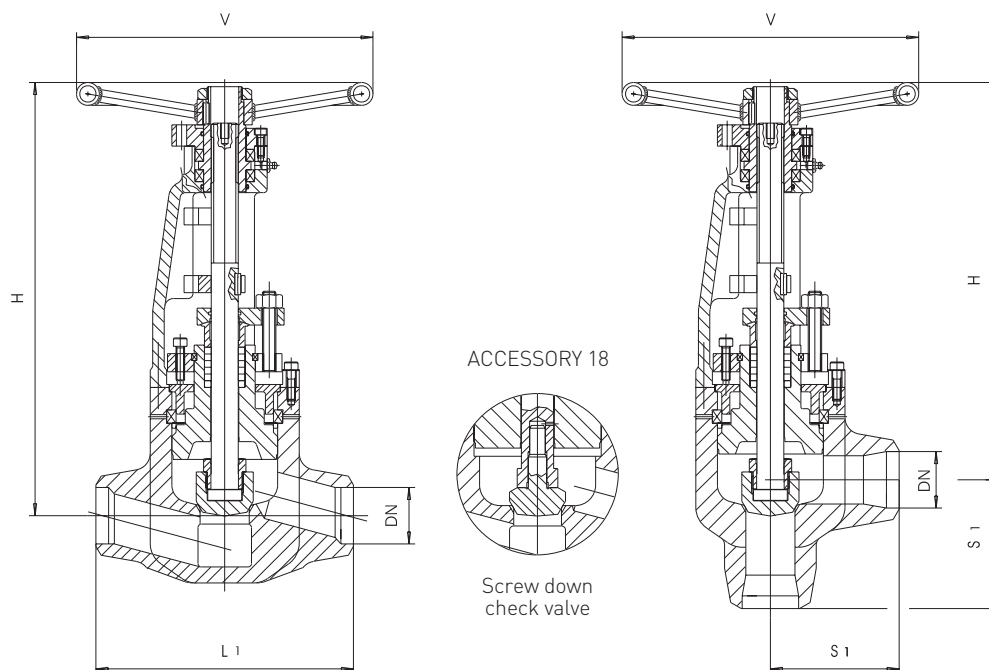


FIG. 6022 RANGE ASME CL. 601 - 900 / PRESSURE RATING PN 110 - 160

DN	NPS	L1	S1	H	V	Weight (kg)
50	2	216	108.0	490	350	40
65	2½	305	152.5	550	350	52
80	3	305	152.5	550	350	52
100	4	350	162.5	580	400	75
125	5	450	187.5	630	450	145
150	6	550	225.0	650	450	168
175	7	711	260.0	750	500	245
200	8	711	287.5	850	500	290
250	10	725	325.0	1150	750	500

NOTES

1. All dimensions are in mm.

FIG. 6023 RANGE ASME CL. 901 - 1500 / PRESSURE RATING PN 161 - 250

DN	NPS	L1	S1	H	V	Weight (kg)
50	2	216	108.0	490	350	40
65	2½	305	152.5	550	350	52
80	3	305	152.5	550	350	52
100	4	350	175.0	580	400	95
125	5	450	200.0	630	500	180
150	6	550	237.5	665	500	210
175	7	711	275.0	760	600	300
200	8	711	312.5	860	600	360
250	10	725	362.5	1150	750	780

NOTES

1. All dimensions are in mm.

FIG. 6024 RANGE ASME CL. 1501 - 2500 / PRESSURE RATING PN 251 - 500

DN	NPS	L1	S1	H	V	Weight (kg)
50	2	216	108.0	490	350	40
65	2½	305	152.5	550	350	52
80	3	350	152.5	550	350	52
100	4	450	212.5	600	400	105
125	5	550	225.0	650	500	210
150	6	550	275.0	690	BGR	250
175	7	711	312.5	790	BGR	380
200	8	711	350.0	895	BGR	450
250	10	725	400.0	1190	BGR	900

NOTES

- 1. All dimensions are in mm.
- 2. BGR: bevel gear on request.

SEPELL RAISTEAM PRESSURE SEAL FORGED STEEL GLOBE VALVES

T TYPE FIG. 6022 - 6025 AND Y TYPE FIG. 6032 - 6035

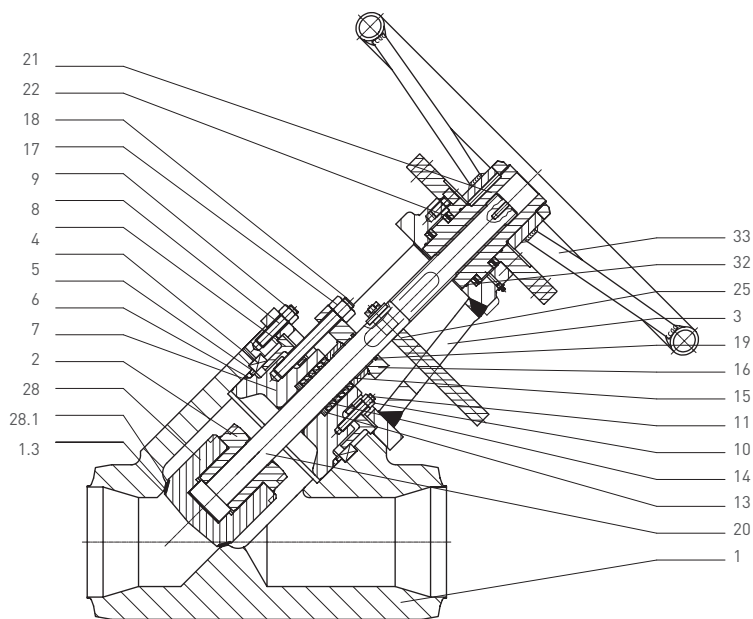


FIGURE 6032 TO 6035

Fig.	Range class	PN
6032	601 - 900	(09) 110 - 160
6033	901 - 1500	(15) 161 - 250
6034	1501 - 2500	(25) 251 - 500
6035	2501 - 4500	(45) 501 - 720

TRIM MATERIAL TO API 600

Item	Body seat surface	Plug seating surface	Stem
	1.3	28.1	20
1	13% Cr	13% Cr	13% Cr
5	Stellite	Stellite	13% Cr 17% Cr *
8	Stellite	13% Cr	13% Cr
12	F316/Stellite	F316/Stellite	F316 or 17.4 PH below 450°C

* over 450°C

MATERIAL SPECIFICATIONS

No. Item	31	32	33	34	35	36	37	38	39
	-20°C - 425°C	-46°C - 425°C	200°C - 540°C	250°C - 550°C	400°C - 575°C	500°C - 650°C	-20°C - 450°C	130°C - 650°C	500°C - 650°C
	A105 1.0460	LF2 TT5 1.0411	F1 15Mo3 1.5415	F12 13CrMo44 1.7335	F22 10CrMo910 1.7380	F91 P91 1.4903	15NiCuMoNb5 1.6368	F316 X6CrNiNb1810 1.4550	F92 P92 1.4901
1 Body	A105 1.0460	LF2 TT5	F1 15Mo3	F12 13CrMo44	F22 10CrMo910	F91	15NiCuMoNb5	F316 X6CrNiNb1810	F92
1.1 Body	A105 1.0460	LF2 TT5	F1 15Mo3	F12 13CrMo44	F22 10CrMo910	F91	15NiCuMoNb5	F316 X6CrNiNb1810	F92
2 Bonnet	A105 1.0460	LF2 TT5	F1 15Mo3	F12 13CrMo44	F22 10CrMo910	F91	15NiCuMoNb5	F316 X6CrNiNb1810	F92
3 Yoke	A105	A105	A105	A105	A105	A105	A105	A105	A105
4 Safety ring	A105	A105	A105	A105	A105	A105	A105	A105	A105
5 Segment ring	A105 1.0460	LF2 TT5	F1 15Mo3	F12 13CrMo44	F22 10CrMo910	F91	15NiCuMoNb5	F316 X6CrNiNb1810	F92
6 Ring	A105 1.0460	LF2 TT5	F1 15Mo3	F12 13CrMo44	F22 10CrMo910	F91	15NiCuMoNb5	F316 X6CrNiNb1810	F92
7 Gasket	Pure graphite	Pure graphite	Pure graphite	Pure graphite	Pure graphite	Pure graphite	Pure graphite	Pure graphite	Pure graphite
8 Bolts	A193 B7	A193 B7	A193 B7	A193 B7	A193 B7	A193 B7	A193 B7	A193 B7	A193 B7
9 Nuts	A194 2H	A194 2H	A194 2H	A194 2H	A194 2H	A194 2H	A194 2H	A194 2H	A194 2H
10 Plate	A194 2H	A194 2H	A194 2H	A194 2H	A194 2H	A194 2H	A194 2H	A194 2H	A194 2H
11 Screw	A193 B7	A193 B7	A193 B7	A193 B7	A193 B7	A193 B7	A193 B7	A193 B7	A193 B7
13 Ground ring	17Cr 1.4122	17Cr 1.4122	17Cr 1.4122	17Cr 1.4122	17Cr 1.4122	17Cr 1.4122	17Cr 1.4122	17Cr 1.4122	17Cr 1.4122
14 Packing	Pure graphite	Pure graphite	Pure graphite	Pure graphite	Pure graphite	Pure graphite	Pure graphite	Pure graphite	Pure graphite
15 Gland	F6	F6	F6	F6	F6	F6	F6	F6	F6
16 Gland flange	A105	A105	A105	A105	A105	A105	A105	A105	A105
17 Gland nuts	A194 2H	A194 2H	A194 2H	A194 2H	A194 2H	A194 2H	A194 2H	A194.8	A194 2H
18 Bolts	A193 B7	A193 B7	A193 B7	A193 B8	A193 B8	A193 B8	A193 B8	A193 B8	A193 B8
19 Cut ring	Pure graphite	Pure graphite	Pure graphite	Pure graphite	Pure graphite	Pure graphite	Pure graphite	Pure graphite	Pure graphite
21 Yoke nut	Bronze B 148 gr.B or Ni-resist D2	Bronze B 148 gr.B or Ni-resist D2	Bronze B 148 gr.B or Ni-resist D2	Bronze B 148 gr.B or Ni-resist D2	Bronze B 148 gr.B or Ni-resist D2	Bronze B 148 gr.B or Ni-resist D2	Bronze B 148 gr.B or Ni-resist D2	Bronze B 148 gr.B or Ni-resist D2	Bronze B 148 gr.B or Ni-resist D2
22 Bearings	Steel	Steel	Steel	Steel	Steel	Steel	Steel	Steel	Steel
25 Indicator	A105	A105	A105	A105	A105	A105	A105	F316	A105
28 Plug	F6	F6	F6	F6	F6	F6	F6	F6	F6
30 Plug nut	F6	F6	F6	F6	F6	F6	F6	F6	F6
32 O-ring	Viton	Viton	Viton	Viton	Viton	Viton	Viton	Viton	Viton
33 Handwheel	Steel	Steel	Steel	Steel	Steel	Steel	Steel	Steel	Steel

SEPELL RAISTEAM PRESSURE SEAL FORGED STEEL GLOBE VALVES

T TYPE FIG. 6022 - 6025 AND Y TYPE FIG. 6032 - 6035

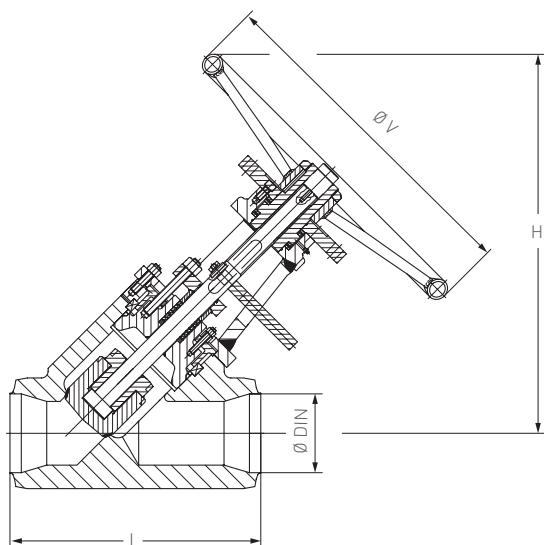


FIG. 6032 ASME CLASS 601 - 900 - PRESSURE RATING (PN 110 - 160)

NPS	DN	L	H	ØV	Weight (kg)
d 1N x d N	d 1N x d N				
3 (4 x 3)	80 (100 x 80)	350	450	350	80
4 (5 x 4)	100 (125 x 100)	400	510	400	100
5 (6 x 5)	125 (150 x 125)	450	560	500	320
6 (7 x 6)	150 (175 x 150)	500	630	500	400
7 (8 x 7)	175 (200 x 175)	550	700	600	460
8 (10 x 8)	200 (250 x 200)	625	825	600	700
10 (12 x 10)	250 (300 x 250)	725	950	*	900
12 (14 x 12)	300 (350 x 300)	850	1060	*	1300
14 (16 x 14)	350 (400 x 350)	1000	1200	*	1800
16 (18 x 16)	400 (450 x 400)	1175	1400	*	2500
18 (20 x 18)	450 (500 x 450)	1300	1600	*	3000

FIG. 6033 ASME CLASS 901 - 1500 - PRESSURE RATING (PN 161 - 250)

NPS	DN	L	H	ØV	Weight (kg)
d 1N x d N	d 1N x d N				
3 (4 x 3)	80 (100 x 80)	350	450	350	90
4 (5 x 4)	100 (125 x 100)	400	510	500	105
5 (6 x 5)	125 (150 x 125)	450	560	500	350
6 (7 x 6)	150 (175 x 150)	500	630	600	430
7 (8 x 7)	175 (200 x 175)	550	700	600	500
8 (10 x 8)	200 (250 x 200)	625	825	*	750
10 (12 x 10)	250 (300 x 250)	725	950	*	1000
12 (14 x 12)	300 (350 x 300)	850	1060	*	1400
14 (16 x 14)	350 (400 x 350)	1000	1200	*	2000
16 (18 x 16)	400 (450 x 400)	1175	1400	*	2800
18 (20 x 18)	450 (500 x 450)	1300	1600	*	3500

FIG. 6034 ASME CLASS 1501 - 2500 - PRESSURE RATING (PN 251 - 500)

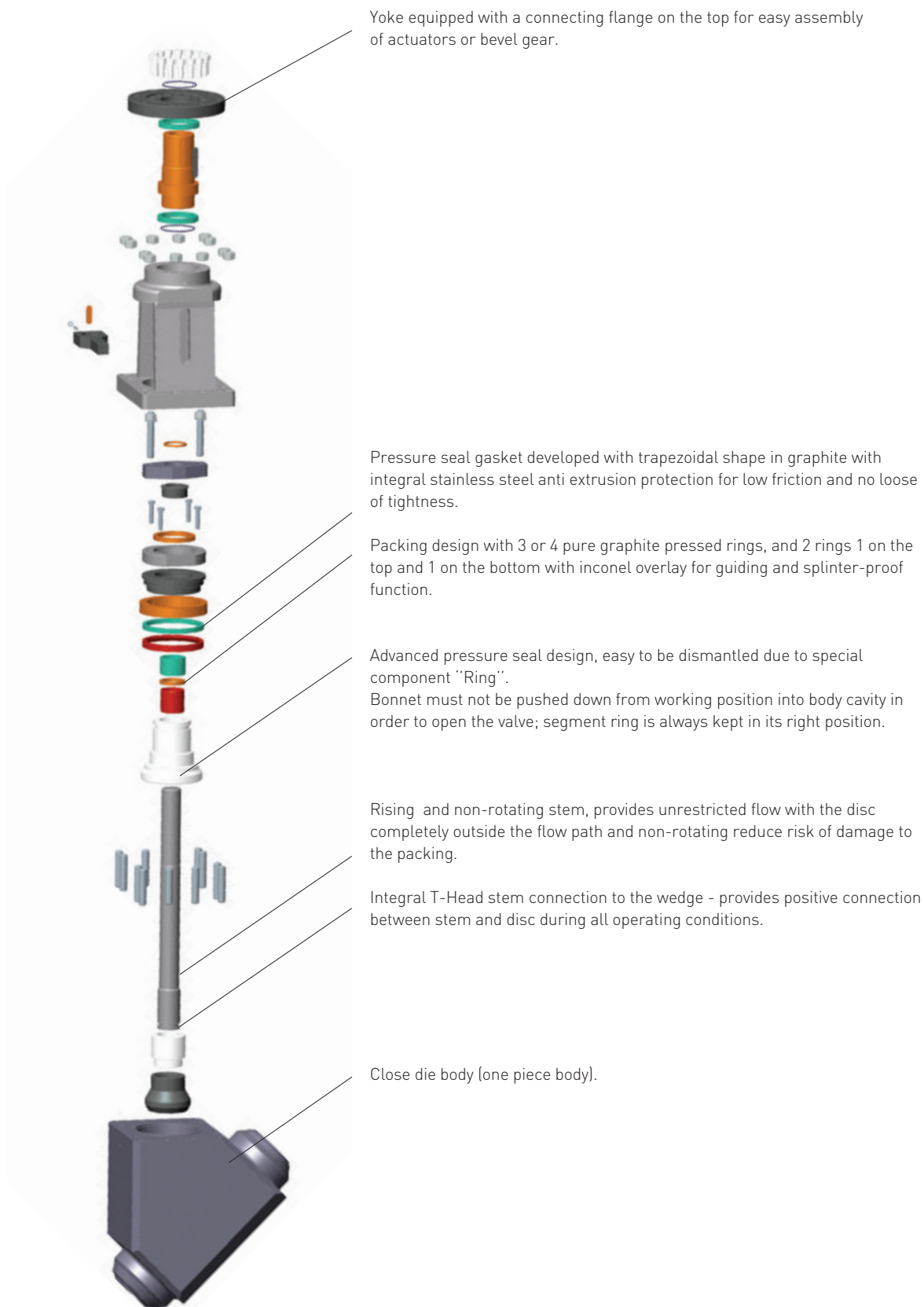
NPS	DN	L	H	ØV	Weight (kg)
d 1N x d N	d 1N x d N				
3 (4 x 3)	80 (100 x 80)	350	450	350	95
4 (5 x 4)	100 (125 x 100)	400	510	500	115
5 (6 x 5)	125 (150 x 125)	450	560	500	380
6 (7 x 6)	150 (175 x 150)	500	630	600	460
7 (8 x 7)	175 (200 x 175)	550	700	600	540
8 (10 x 8)	200 (250 x 200)	625	825	*	800
10 (12 x 10)	250 (300 x 250)	725	950	*	1100
12 (14 x 12)	300 (350 x 300)	850	1060	*	1500
14 (16 x 14)	350 (400 x 350)	1000	1200	*	2200
16 (18 x 16)	400 (450 x 400)	1175	1400	*	3100
18 (20 x 18)	450 (500 x 450)	1300	1600	*	4000

NOTES

1. Dimensions in mm
 2. dN = connection pipe size.
 3. d1N = MAX connection pipe size using same project.
- * bevel gear on request.

SEPELL RAISTEAM PRESSURE SEAL FORGED STEEL GLOBE VALVES

T TYPE FIG. 6022 - 6025 AND Y TYPE FIG. 6032 - 6035

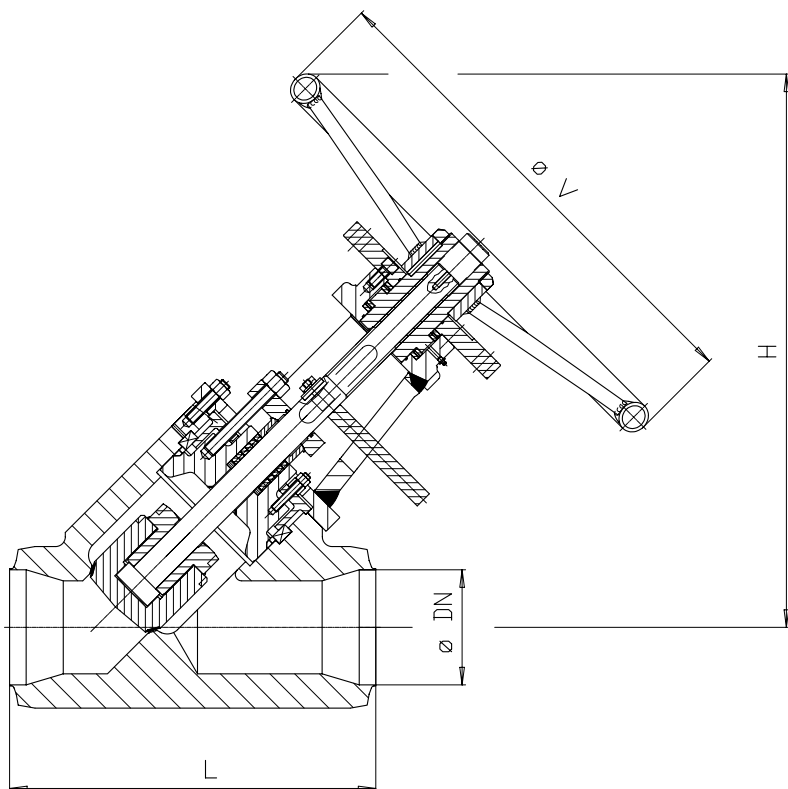


Y pattern Globe Valve illustrated

SEPELL RAISTEAM PRESSURE SEAL FORGED STEEL GLOBE VALVES

T TYPE FIG. 6022 - 6025 AND Y TYPE FIG. 6032 - 6035

STOP-CHECK CONFIGURATION



How the Stop Check globe valves Work

The globe valves stop check can be used in two ways:

- a. as regulating valve
- b. as check valve

The stem is not connected with the disc therefore, when performing the opening, the disc is not dragged by the stem and remains in contact with the seat or it moves in the direction of the stem only if there is flow.

In absence of reversal flow, the disc closes the valve exactly as a check valve

In presence of flow and with the stem in any position other than valve closed, the disc will be positioned as follow:

- a. In an equilibrium condition between his weight and the thrust due the fluid
- b. Against the stem when the flow rate is sufficient to push it in this position

The stem has two functions:

- a. To limit the opening of the valve (adjust the flow rate of the valve to a predetermined max value)
- b. To force the closure of the valve regardless of the flow

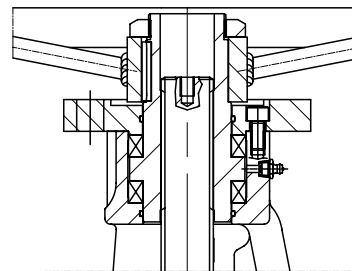
SEPELL RAISTEAM PRESSURE SEAL FORGED STEEL GLOBE VALVES

T TYPE FIG. 6022 - 6025 AND Y TYPE FIG. 6032 - 6035

STANDARD CHARACTERISTICS

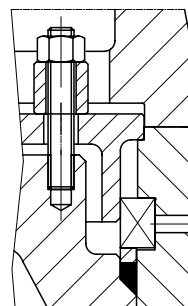
Yoke

Standard Sempell materials for yoke nut are ductile iron Ni-Resist D2 or Bronze B148 Gr.B. All yoke nuts are provided with two needle bearings. Every yoke has a lubrication nipple. The yokes are equipped with a connecting flange on the top, ready to assemble gear, motor devices and other accessories.



Bonnet

Advanced Pressure Seal design is such that the bonnet is easy to be dismantled. Important : the bonnet must not be dropped into the body cavity the segment ring is kept in the right position by the safety ring. High tightness is achieved with pure graphite gasket rings, covered with a layer of 18.8 on both sides.

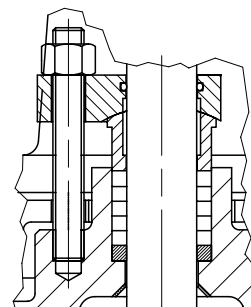


Packing

The new design of packing ensures high tightness with pure graphite pressed rings (min.density 1.8 g/cm³) with a ground ring for guiding.

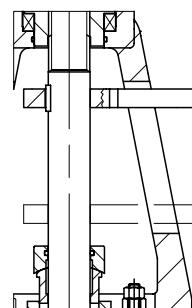
The packing chamber is shorter and narrower because the sealing effectiveness improves as overall packing dimensions decrease. The chamber wall surface roughness is $R_z < 5 \mu\text{m}$ and the surface roughness of the stem running through the stuffing box is $R_z < 1.6 \mu\text{m}$.

The new design of pure graphite packing also allows vacuum service and protection against fugitive emissions.



Position Indicator

The mechanical indicator for open and closed position is standard on high pressure forged valves.

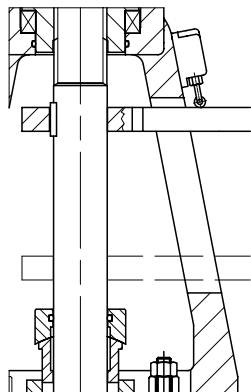


SEPELL RAISTEAM PRESSURE SEAL FORGED STEEL GLOBE VALVES

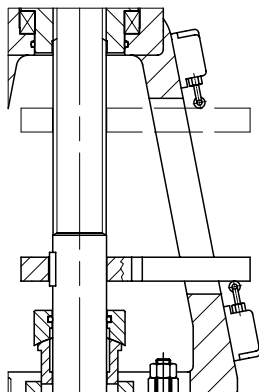
T TYPE FIG. 6022 - 6025 AND Y TYPE FIG. 6032 - 6035

ACCESSORIES (OPTIONALS)

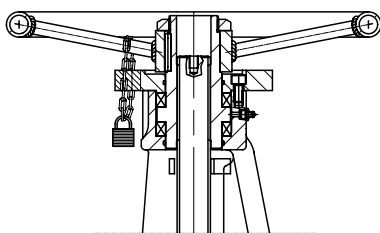
ACC. 13 - LIMIT SWITCH FOR OPEN OR CLOSED POSITION



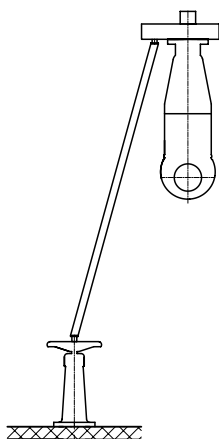
ACC. 14 - LIMIT SWITCH FOR OPEN AND CLOSED POSITION



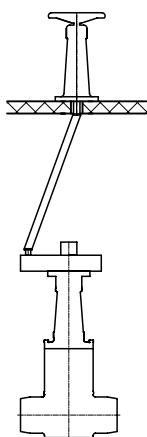
ACC. 15 - LOCKING DEVICE



ACC. 16 - FLOOR STANDS WITH EXTENSION STEMS BELOW THE VALVE



ACC. 17 - FLOOR STANDS WITH EXTENSION STEMS ABOVE THE VALVE



SEPELL RAISTEAM PRESSURE SEAL FORGED STEEL GLOBE VALVES

T TYPE FIG. 6022 - 6025 AND Y TYPE FIG. 6032 - 6035

Example:	5D	0	09	14	DQ	AA	H	D
Valve type								
5B	T Pattern globe valve							
5D	Y Pattern globe							
5E	Angle globe							
Valve configuration								
0	Basic							
1	Stop check configuration							
Valve rating								
09	RANGE ASME 601 - 900 / PN 110 - 160							
15	RANGE ASME 901 - 1500 / PN 161 - 250							
25	RANGE ASME 1501 - 2500 / PN 251 - 500							
45	RANGE ASME 2501 - 4500 / PN 501 - 720							
Nominal valve size DN - (NPS)								
02	50 - (2)							
25	65 - (2½)							
03	80 - (3)							
04	100 - (4)							
05	125 - (5)							
06	150 - (6)							
07	175 - (7)							
08	200 - (8)							
10	250 - (10)							
12	300 - (12)							
14	350 - (14)							
16	400 - (16)							
18	450 - (18)							
20	500 - (20)							
22	550 - (22)							
24	600 - (24)							
Body material								
00	A105 - 1.0352 - P250GH							
DC	1.0460							
DQ	1.6368 - 15NiCuMoNb5							
D4	A182 F1 - 1.5415 - 16Mo3							
07	A182 F12 - 1.7335 - 13CrMo4-5							
08	A182 F22 - 1.7380 - 11CrMo9-10							
21	A182 F91 - 1.4903 - 10CrMoVNb9-1							
22	A182 F92 - 1.4901 - X10CrWMoVNb9-2							
11	A182 F316 - 1.4401 - X5CrNiMo17-12-2							
Trim								
AA	Stellite/Stellite							
Pipe connection								
A	Flanged per ASME B16.5							
B	Flanged per ASME B16.47 "A"							
D	Flanged per ASME B16.47 "B"							
H	Weld end ASME B16.25							
J	Weld end EN 12267							
K	Weld end ISO 9692							
Standard valve operation								
A	Handwheel							
B	Bevel gear							
D	Bare shaft (Coupling type B)							
E	Bare shaft for linear actuator							

SEPELL RAISTEAM PRESSURE SEAL FORGED STEEL GLOBE VALVES

T TYPE FIG. 6022 - 6025 AND Y TYPE FIG. 6032 - 6035

FIGURE NUMBER

	I	II	III	IV	V	VI	VII	VIII
To ASME	6	02	3	8"	24	5	BW	5
To ISO	6	02	3	200	24	5	BW	5
I	6 = High pressure forged valve							
II	Type of valve							
	02 Globe valve T pattern							
	03 Globe valve Y pattern							
III	Range class							
	2 601 - 900 / Pressure rating (PN 110 - 160)							
	3 901 - 1500 / Pressure rating (PN 161 - 250)							
	4 1501 - 2500 / Pressure rating (PN 251 - 500)							
	5 2501 - 4500 / Pressure rating (PN 501 - 720)							
IV	Connection pipe ends inches (mm)							
V	Material specification, please refer to separate page for every valve type							
	Globe valve							
	Y-type stop valve							
VI	Type of trim, please refer to separate page for every valve type according to point VI							
VII	BW Butt weld ends							
	FR Flanges RTJ							
	BWS Butt weld ends special							
VIII	Accessories number, please refer above							

Neither Emerson, Emerson Automation Solutions, nor any of their affiliated entities assumes responsibility for the selection, use or maintenance of any product. Responsibility for proper selection, use, and maintenance of any product remains solely with the purchaser and end user.

Sempell is a mark owned by one of the companies in the Emerson Automation Solutions business unit of Emerson Electric Co. Emerson Automation Solutions, Emerson and the Emerson logo are trademarks and service marks of Emerson Electric Co. All other marks are the property of their respective owners.

The contents of this publication are presented for informational purposes only, and while every effort has been made to ensure their accuracy, they are not to be construed as warranties or guarantees, express or implied, regarding the products or services described herein or their use or applicability. All sales are governed by our terms and conditions, which are available upon request. We reserve the right to modify or improve the designs or specifications of such products at any time without notice.

Emerson.com/FinalControl